

## EUROVAC II - PNEUMATIC HOUSEKEEPING PORTABLE

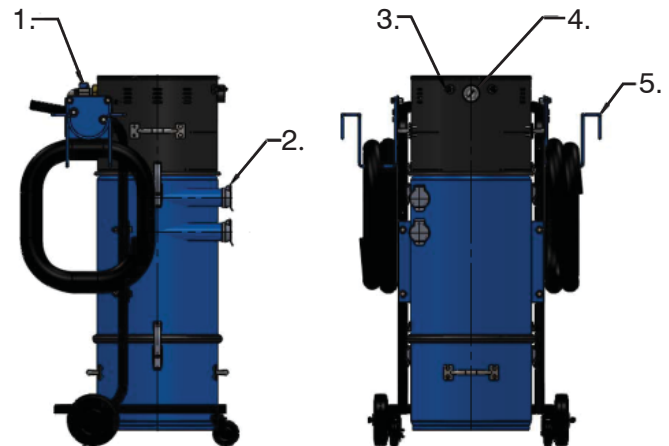
*Keep your facility safe & clean with a Eurovac portable vacuum system*



The Eurovac II portable is powered by compressed air being forced through a venturi to create a powerful vacuum. Using compressed air eliminates the chance of a dust or gas explosion as there is no sparking motor. To meet NFPA codes, the system is grounded and the vacuum hoses and cuffs are static conductive.

- System Uses: Safely collects fine powders, explosive dusts and debris: It can be used in Class I-Group D and Class II Groups E, F & G hazardous locations.
- Superior Filtration: True cyclonic filtration removes virtually all the dust prior to the secondary cartridge filter. Final polyester cartridge filter is efficient up to 99.93% at 3 micron or larger.
- Manual flow valve on the air intake to ensure you get just the proper amount of airflow and suction for your application.
- Quiet operation... venturi housing is insulated and baffled for sound.
- HEPA filtration is available by adding a chamber between the pump and regular filters. The HEPA filter removes the remaining 99.97% of sanding dust to a minimum of .3 micron particle.

### Eurovac offers a complete line of cleaning accessories



1. Ball valve and high flow 1/2" fitting
2. 1.5" inlet valve (2)
3. 1.25" compressed air connection for air tool (optional) (2)
4. Compressed air gauge
5. Hose hanger (2)

Specialists in Dust and Fume  
Extraction Systems

CANADA Toll Free 800-265-3878  
Fax 416-744-8079  
Web [www.eurovac.com](http://www.eurovac.com)

USA Ph. 800-265-3878  
Fax 905-738-4603  
Web [www.eurovac.com](http://www.eurovac.com)

44 Milvan Dr, North York, ON M9L 1Z3

5927 Center Rd, Unit 3, Valley City, OH 44039