

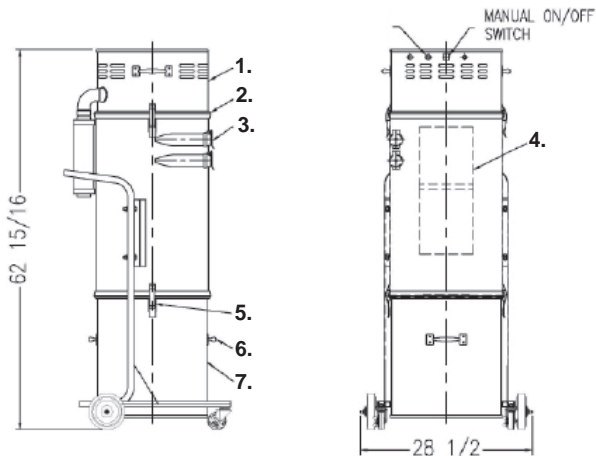
EUROVAC II - 3.9HP HOUSEKEEPING PORTABLE

Keep your facility clean with a Eurovac portable vacuum system



PRODUCT DESCRIPTION

- Powerful 15.5 amp produces more CFM than any 110 v motor on the market. 1753 watt pump produces 70" of water column; 245 free flow CFM
- Quiet operation particularly for fine dust...motor housing is insulated and baffled for sound.
- Superior filtration ... combination true cyclonic filtration plus secondary cartridge filter, a standpipe surrounding the cartridge filter does not allow the particulate air entering the inlets to go directly to the cartridge filter. The standpipe forces the air to move down the canister to the cyclone where 85% of the particulate is removed before the secondary cartridge filter (see diagram below). This results in the unit operating much more efficiently than units which do not have true cyclonic filtration.
- Filters are cleaned by simply removing the motor head and blowing compressed air on the clean side of the filters.
- HEPA filtration is available by adding a chamber between the pump and regular filters. The HEPA filter removes the remaining 99.97% of dust to a minimum of .3 micron particle.
- Large 20 gallon collection canister mounted on sturdy car with back wheels and front swivel wheels for mobility.



A complete range of cleaning accessories including cleaning kits, hoses, overhead tools, brushes and crevice tools

SPECIFICATIONS

- Motor:** 1753 Watts, 120V, 15.5 amp
70" of Water Column,
245 Free flow CFM
- Gasket**
- Vacuum Inlets (2)**
- Cartridge Filter**
- Latch**

- Handle**
- Canister - 20 Gallon**

Additional Notes:

-Motor complete with manual on/off switch (overload protection).

Specialists in Dust and Fume
Extraction Systems

CANADA Toll Free 800-265-3878
Fax 905-738-4603
Web www.eurovac.com

116 Buttermill Ave, Concord, ON L4K 3X7

USA Ph. 800-265-3878
Fax 905-738-4603
Web www.eurovac.com

9347 Revenna Rd. #D, Twinsburg, OH 44087